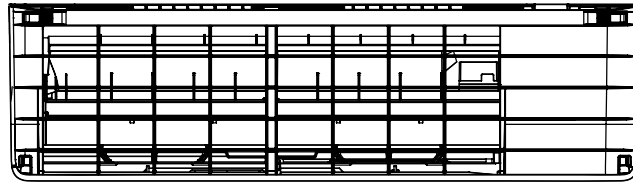


# Dimensions

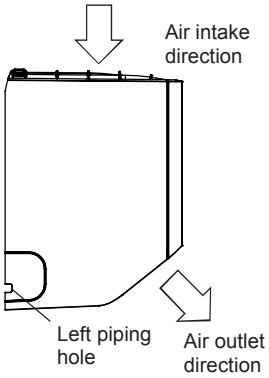
## 1. Indoor Unit

### 1.1 CS-RU9AKH / CS-RU12AKH / CS-RU18AKH

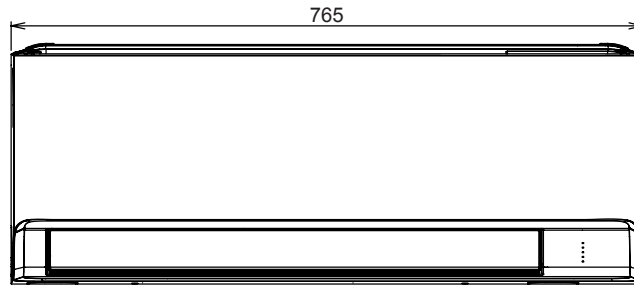
<Top View>



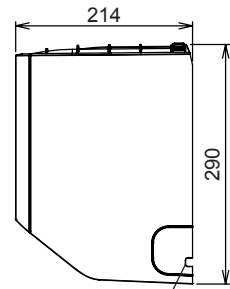
<Side View>



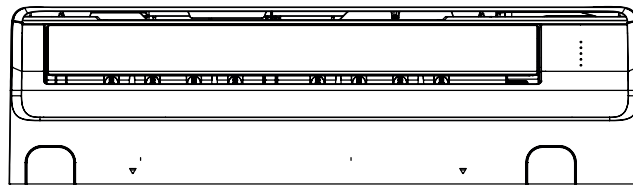
<Front View>



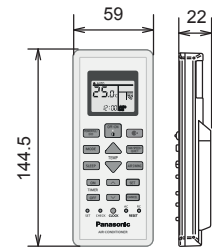
<Side View>



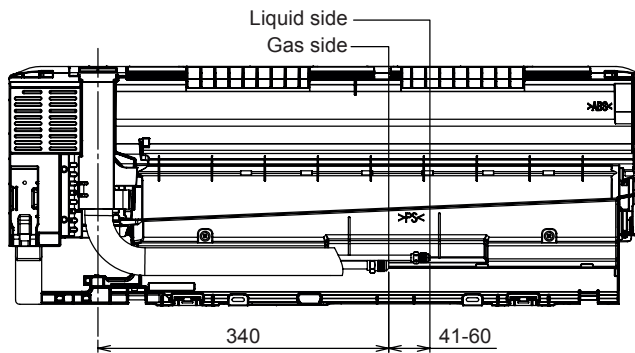
<Bottom View>



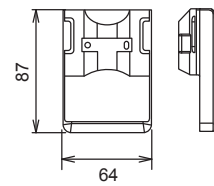
<Remote Control>



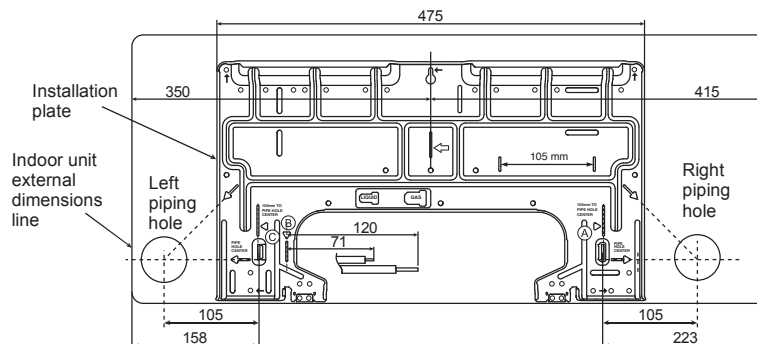
<Rear View>



<Remote Control Holder>



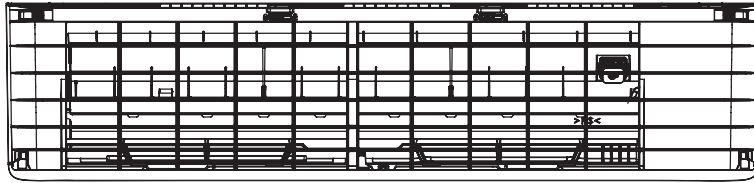
Relative position between the indoor and the installation plate <Front View>



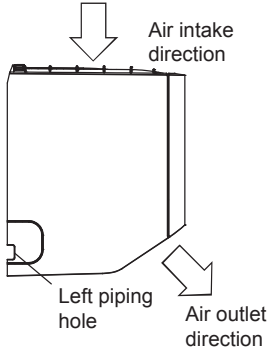
Unit : mm

# 1.2 CS-RU24AKH

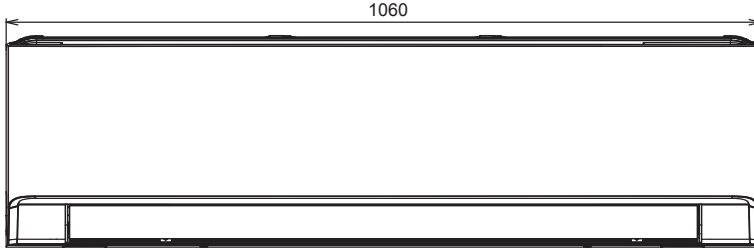
<Top View>



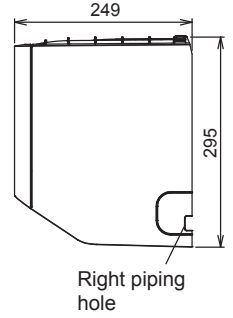
<Side View>



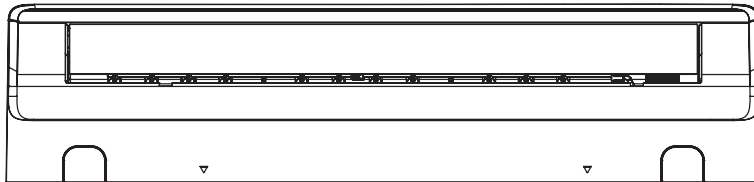
<Front View>



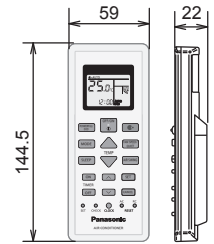
<Side View>



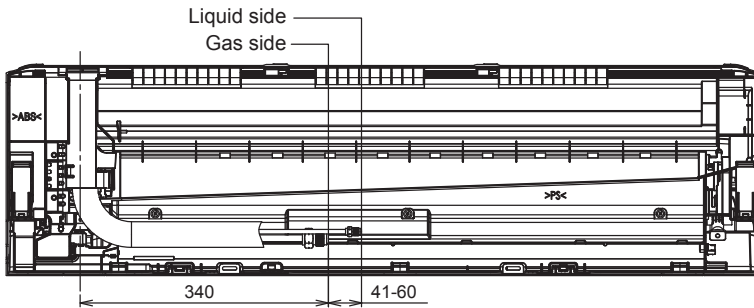
<Bottom View>



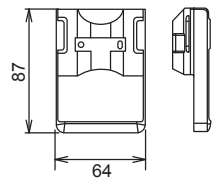
<Remote Control>



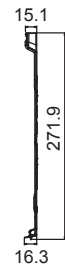
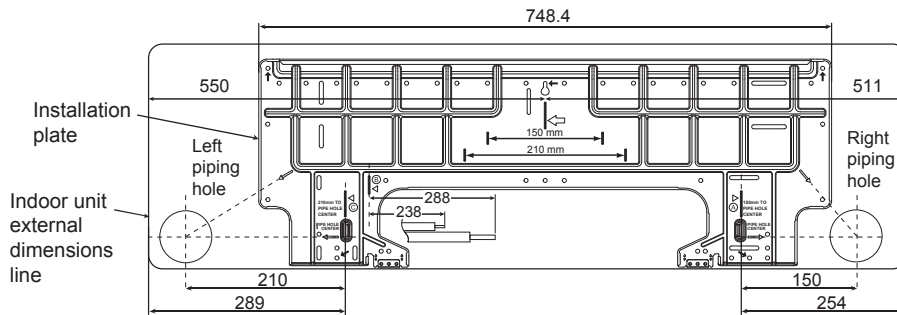
<Rear View>



<Remote Control Holder>



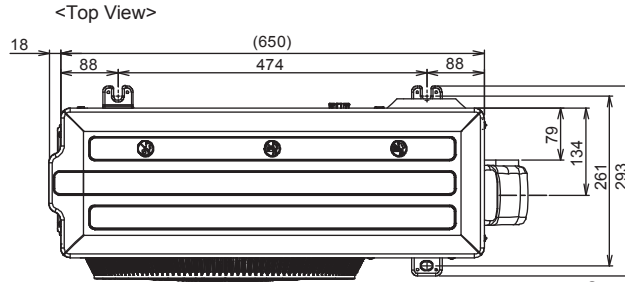
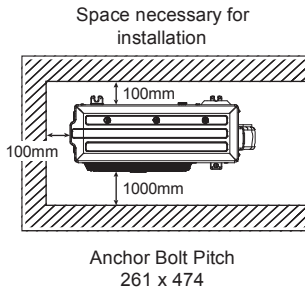
Relative position between the indoor and the installation plate <Front View>



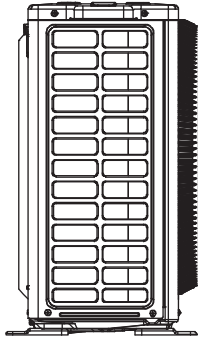
Unit : mm

## 2. Outdoor Unit

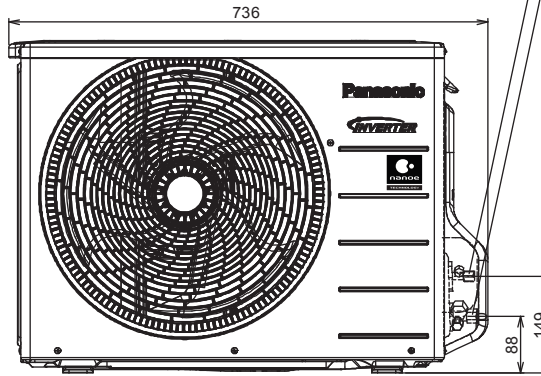
### 2.1 CU-RU9AKH



<Side View>



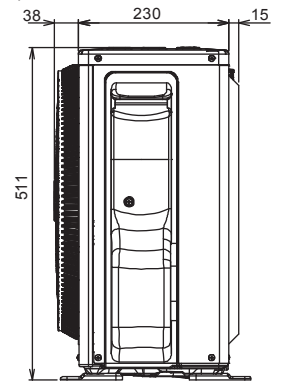
<Front View>



2-way valve at Liquid side  
(High Pressure)

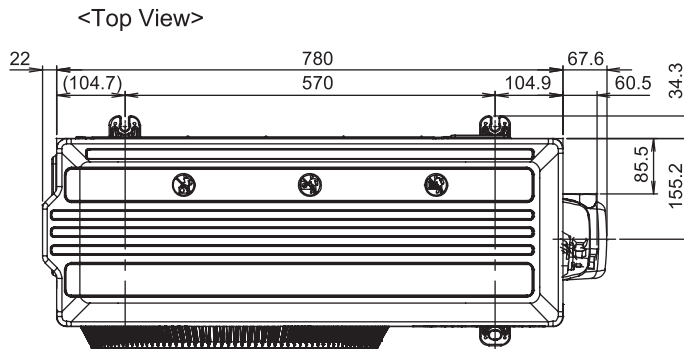
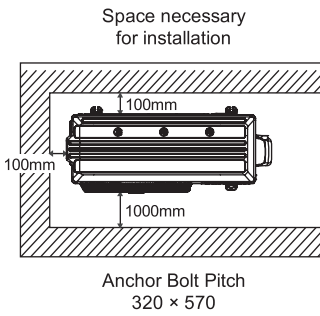
3-way valve at Gas side  
(Low Pressure)

<Side View>

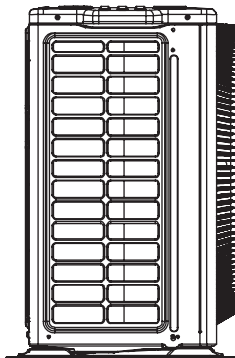


Unit : mm

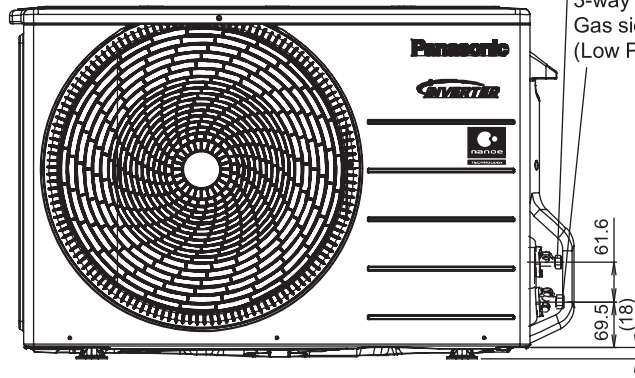
### 2.2 CU-RU12AKH



<Side View>



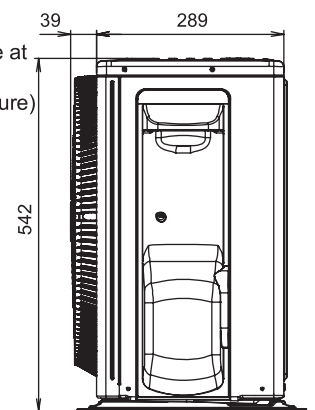
<Front View>



2-way valve at  
Liquid side  
(High Pressure)

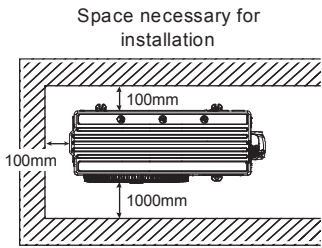
3-way valve at  
Gas side  
(Low Pressure)

<Side View>



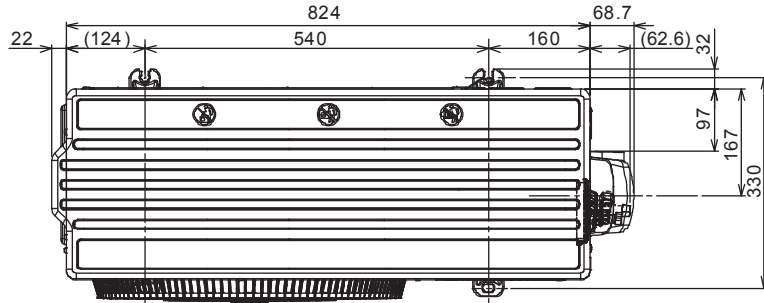
Unit : mm

## 2.3 CU-RU18AKH

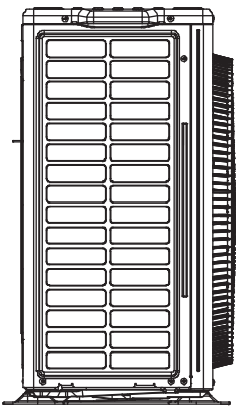


Anchor Bolt Pitch  
330 × 540

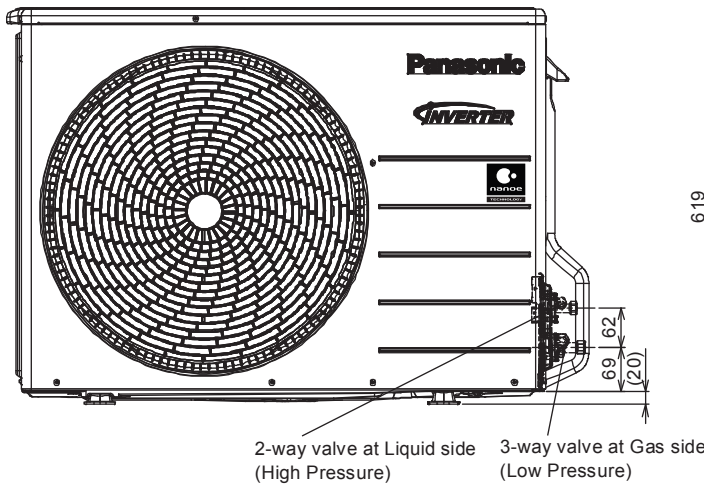
<Top View>



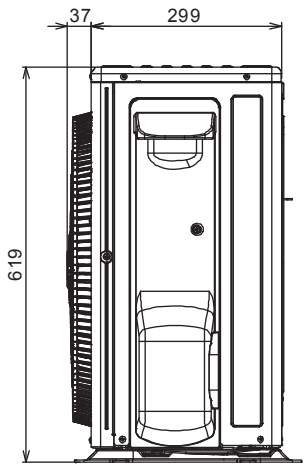
<Side View>



<Front View>

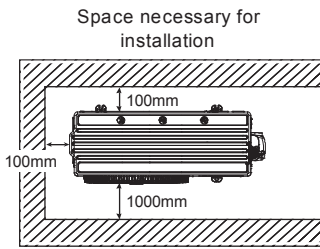


<Side View>



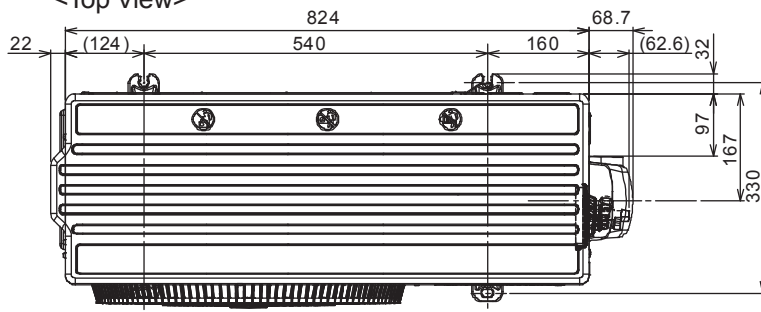
Unit : mm

## 2.4 CU-RU24AKH

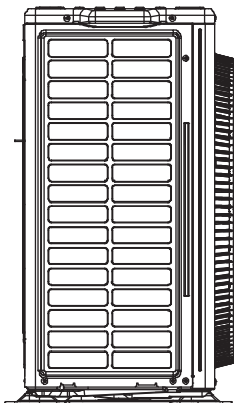


Anchor Bolt Pitch  
330 × 540

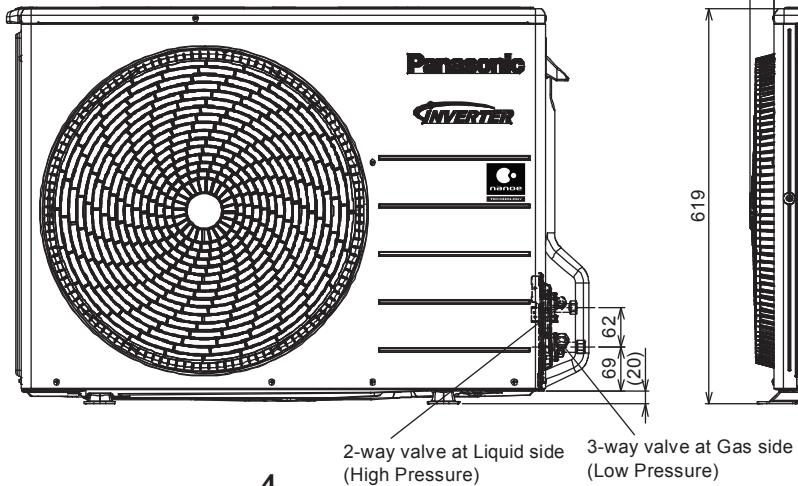
<Top View>



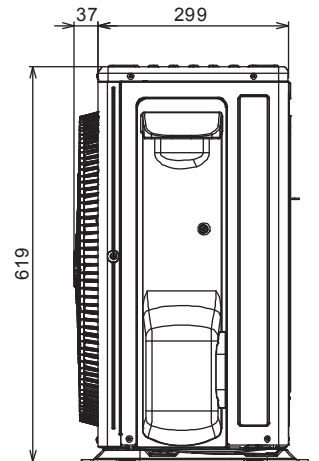
<Side View>



<Front View>



<Side View>



Unit : mm